

R1-EC-7062

User Guide

操作手冊

User Information

Be sure to store this guide at a safe place.

Due to constantly growing product range, technical improvement and alteration or change of texts, figures and diagrams, Delta Electronics reserves the right to make changes to the guide content without prior notice. No part of this guide shall be copied or duplicated without the prior consent of Delta Electronics Inc..

Technical Support and Service

If any technical supports, service, information is needed, or any problem is encountered during the use, you are welcome to visit our website (<http://www.delta.com.tw>) or contact us directly. We are looking forward to providing supports and services according to your needs.

Table of Contents

Chapter 1 Preface	1-1
1.1 Inspection	1-1
1.2 Model Explanation	1-1
1.3 Using R1-EC7062.....	1-1
Chapter 2 Specifications	2-1
2.1 Product Figure	2-1
2.2 Specifications and Dimensions of R1-EC7062	2-2
2.2.1 Electrical Specification of R1-EC7062.....	2-2
2.2.2 Dimensions of R1-EC7062	2-3
Chapter 3 Product Description	3-1
3.1 Description of Each Part	3-1
Chapter 4 Wiring	4-1
4.1 Wiring of R1-EC7062 Input Point.....	4-1

Chapter 1 Preface

1.1 Inspection

Please inspect the following items carefully.

1. Package: Check if the package is complete.
2. Bubble wrap: It can protect the product. Please make sure the sticker is firmly stuck on it.
3. R1-EC7062: Please make sure no damage is shown on its appearance and the accessories are all attached.
4. Installation Guide: Check if there is an installation guide.

1.2 Model Explanation

R 1 - EC 7 0 6 2
(1) (2) (3) (4) (5) (6) (7)

(1) Product Type	R: Remote
(2) Product Category	1: Type 1 - Slim
(3) Product Name	EC: EtherCAT
(4) Module Type	7: Gateway Digital Output Module
(5) Module Subtype 1	0: 3.50 mm Terminal Connector
(6) Module Subtype 2	6: NPN Type / 24 VDC / 0.5 A
(7) Port Number	2: 16 sets

1.3 Using R1-EC7062

This product has to be used with R1-EC5500 of Delta Electronics.

(This page is intentionally left blank.)

Chapter 2 Specifications

2.1 Product Figure



Figure 2.1 Front View

2.2 Specifications and Dimensions of R1-EC7062

2.2.1 Electrical Specifications of R1-EC7062

Item	R1-EC7062
Circuit Type	Transistor
Signal Type	SINK
Power Supply	24 VDC
Current for Digital Input	-
Current for Digital Output	0.5A (Max.)
E-Bus Power Loss	150 mA
Response Time	1 KHz
Active Level (OFF > ON)	45 us
Active Level (ON > OFF)	60 us
Noise Immunity	ESD (IEC 61131-2, IEC 61000-4-2): 8 KV Air Discharge EFT (IEC 61131-2, IEC 61000-4-4): Power Line: 2 KV, Communication I/O: 1 KV RS (IEC 61131-2, IEC 61000-4-3): 80 MHz ~ 1 GHz, 10 V/m
Operating / Storage Temperature	Operating: 0°C ~ 50°C ; Storage: -20°C ~ 70°C

2.2.2 Dimensions of R1-EC7062

Dimensions of R1-EC7062: 100 mm x 73.2 mm x 17.5 mm

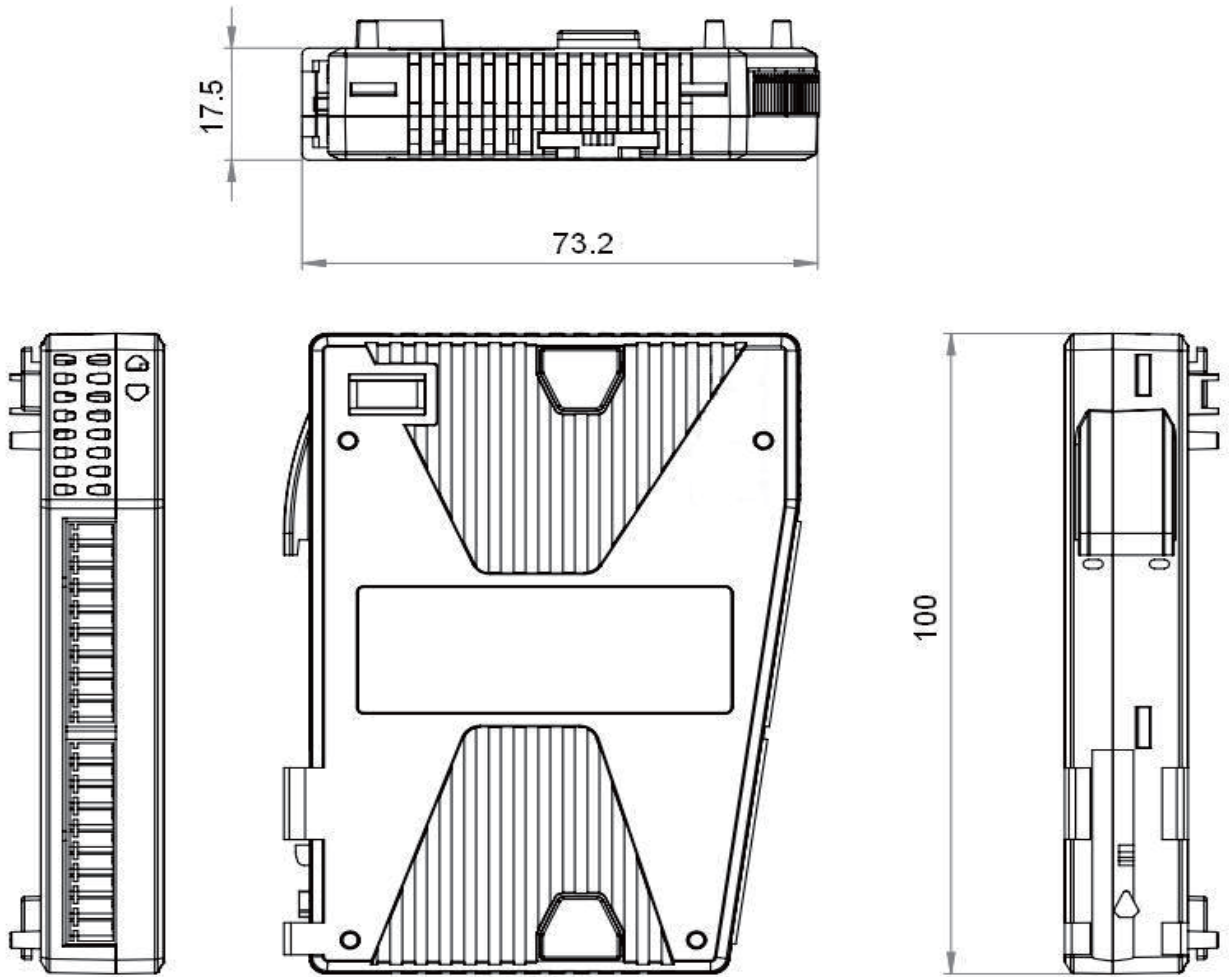


Figure 2.2 Module Dimensions

(This page is intentionally left blank.)

Chapter 3 Product Description

3.1 Description of Each Part

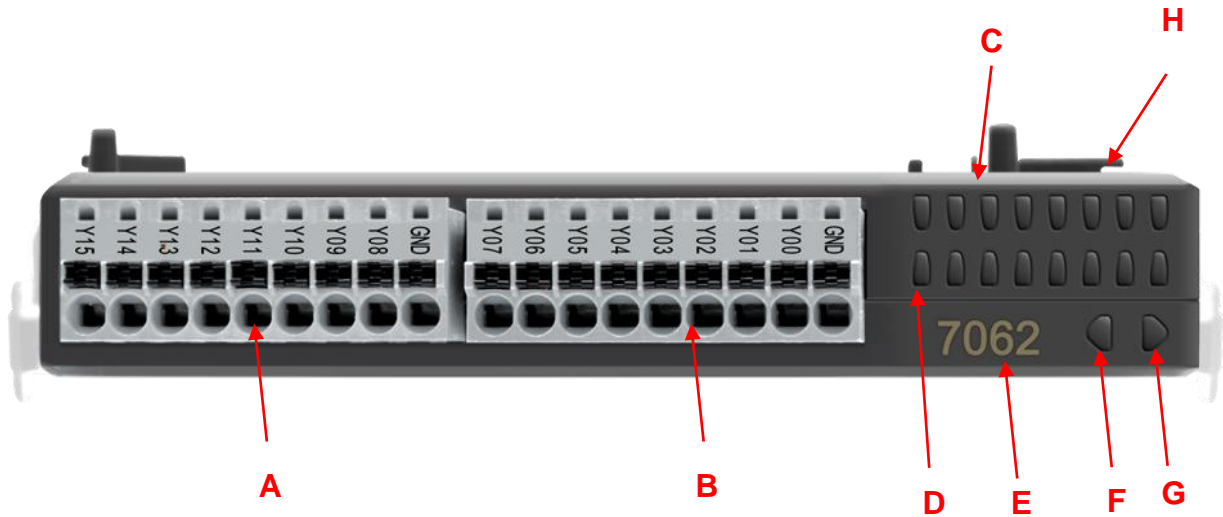


Figure 3.1 Identification of Each Part

No.	Description
A	Port 1
B	Port 0
C	(Part B) Port 0 IO Signal Y07~Y00 Display (from Left to Right)
D	(Part A) Port 1 IO Signal Y15~Y08 Display (from Left to Right)
E	Product ID Number
F	Status Indicator
G	Power Indicator
H	E-Bus Input Port

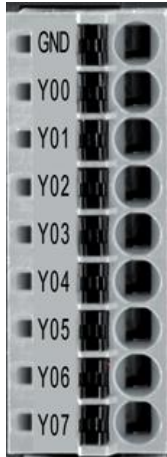


Figure 3.2 Pin Definition of Part B

Label	Description
GND	Port 0 Power Ground
Y00	Port 0 GPIO 1 Output
Y01	Port 0 GPIO 2 Output
Y02	Port 0 GPIO 3 Output
Y03	Port 0 GPIO 4 Output
Y04	Port 0 GPIO 5 Output
Y05	Port 0 GPIO 6 Output
Y06	Port 0 GPIO 7 Output
Y07	Port 0 GPIO 8 Output

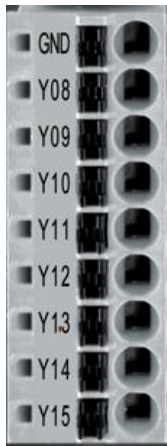


Figure 3.3 Pin Definition of Part A

Label	Description
GND	Port 1 Power Ground
Y08	Port 1 GPIO 1 Output
Y09	Port 1 GPIO 2 Output
Y10	Port 1 GPIO 3 Output
Y11	Port 1 GPIO 4 Output
Y12	Port 1 GPIO 5 Output
Y13	Port 1 GPIO 6 Output
Y14	Port 1 GPIO 7 Output
Y15	Port 1 GPIO 8 Output



Figure 3.4 Definition of Part C, D, E, F and G

No.	Description
C	(Part B) Port0 Signal X07~X00 Display
D	(Part A) Port1 Signal X15~X08 Display
E	Product ID Number
F	Status Indicator
G	Power Indicator

Chapter 4 Wiring

4.1 Wiring of R1-EC7062 Input Point

Output Type: SINK

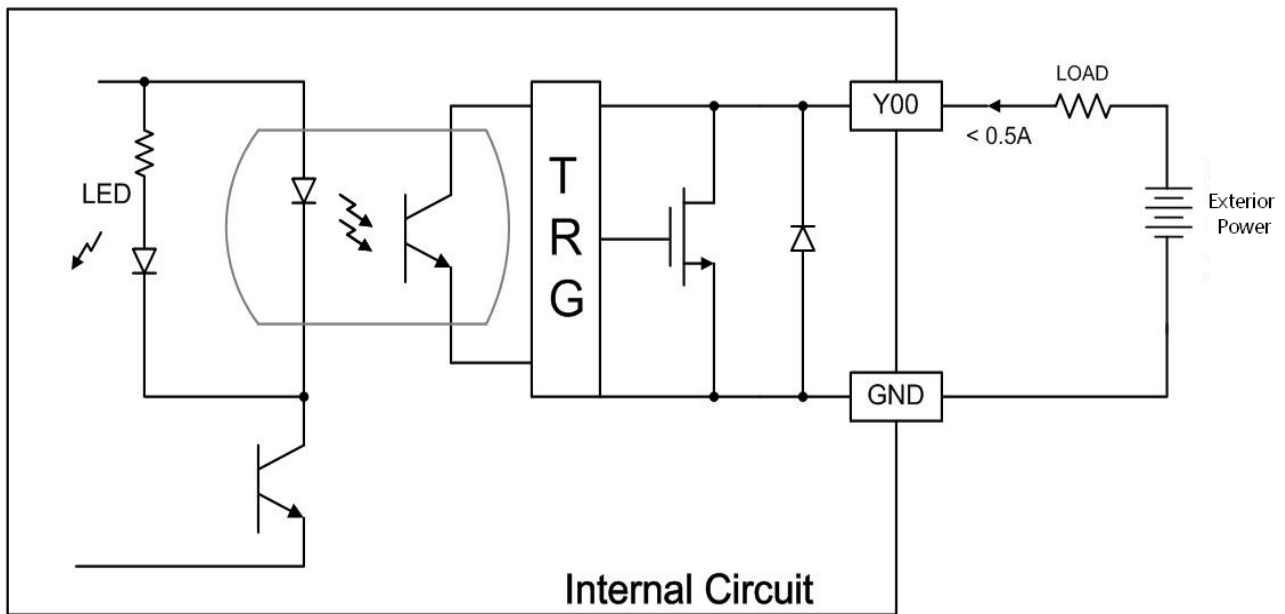


Figure 4.1 Wiring Example of Output Point

(This page is intentionally left blank.)



Smarter. Greener. Together.

台達電子工業股份有限公司

機電事業群

33068 桃園縣桃園市興隆路 18 號

TEL: 886-3-3626301 / FAX: 886-3-3716301

Industrial Automation Headquarters

Delta Electronics, Inc.

Taoyuan Technology Center

No.18, Xinglong Rd., Taoyuan City,

Taoyuan County 33068, Taiwan

TEL: 886-3-362-6301 / FAX: 886-3-371-6301

Asia

Delta Electronics (Jiangsu) Ltd.

Wujiang Plant 3

1688 Jiangxing East Road,

Wujiang Economic Development Zone

Wujiang City, Jiang Su Province, P.R.C. 215200

TEL: 86-512-6340-3008 / FAX: 86-769-6340-7290

Delta Greentech (China) Co., Ltd.

238 Min-Xia Road, Pudong District,

ShangHai, P.R.C. 201209

TEL: 86-21-58635678 / FAX: 86-21-58630003

Delta Electronics (Japan), Inc.

Tokyo Office

2-1-14 Minato-ku Shibadaimon,

Tokyo 105-0012, Japan

TEL: 81-3-5733-1111 / FAX: 81-3-5733-1211

Delta Electronics (Korea), Inc.

1511, Byucksan Digital Valley 6-cha, Gasan-dong,

Geumcheon-gu, Seoul, Korea, 153-704

TEL: 82-2-515-5303 / FAX: 82-2-515-5302

Delta Electronics Int'l (S) Pte Ltd.

4 Kaki Bukit Ave 1, #05-05, Singapore 417939

TEL: 65-6747-5155 / FAX: 65-6744-9228

Delta Electronics (India) Pvt. Ltd.

Plot No 43 Sector 35, HSIIDC

Gurgaon, PIN 122001, Haryana, India

TEL : 91-124-4874900 / FAX : 91-124-4874945

Americas

Delta Products Corporation (USA)

Raleigh Office

P.O. Box 12173, 5101 Davis Drive,

Research Triangle Park, NC 27709, U.S.A.

TEL: 1-919-767-3800 / FAX: 1-919-767-8080

Delta Greentech (Brasil) S.A.

Sao Paulo Office

Rua Itapeva, 26 - 3° andar Edificio Itapeva One-Bela Vista

01332-000-São Paulo-SP-Brazil

TEL: 55-11-3568-3855 / FAX: 55-11-3568-3865

Europe

Deltronics (The Netherlands) B.V.

Eindhoven Office

De Witbogt 20, 5652 AG Eindhoven, The Netherlands

TEL : +31-40-2592850 / FAX : +31-40-2592851

VOIP : 170

*We reserve the right to change the information in this catalogue without prior notice.